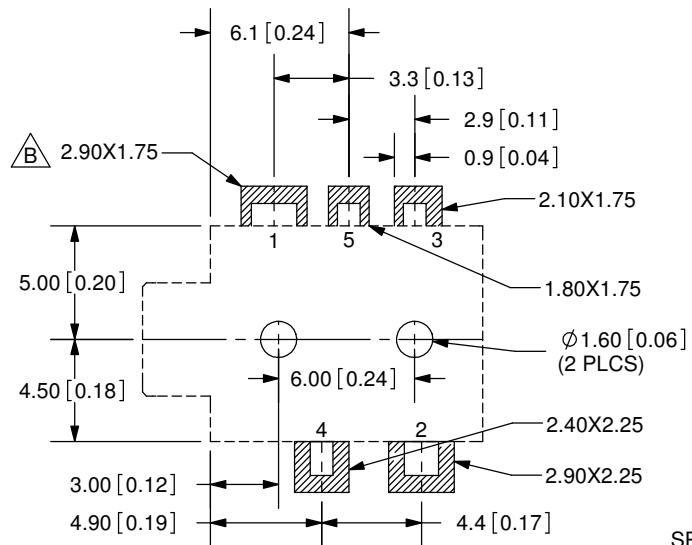
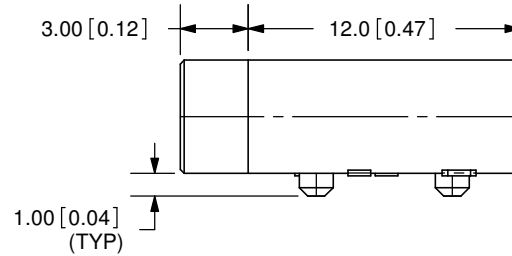
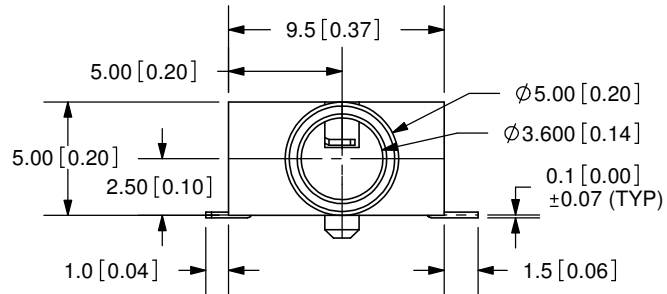
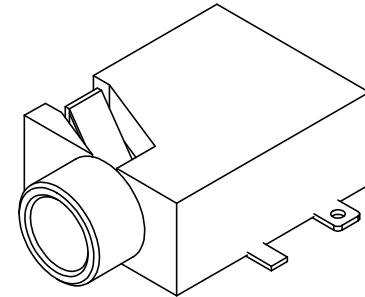
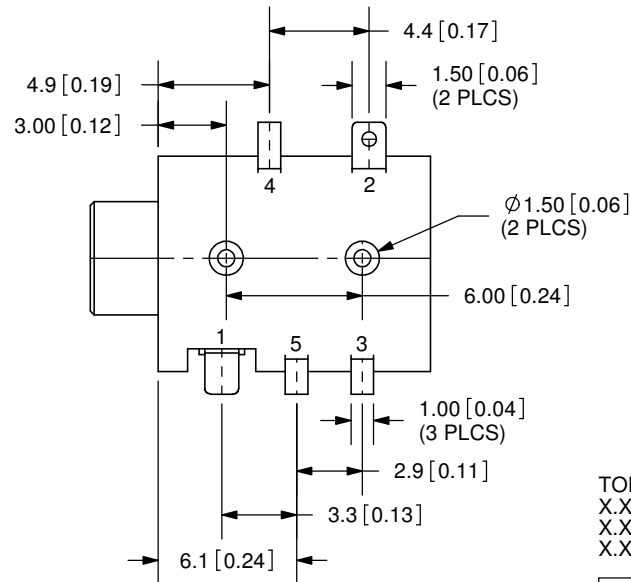


REV.	DESCRIPTION	DATE
A	NEW DRAWING	11/21/2005
B	updated dimension	6/18/2007



PCB LAYOUT
TOP VIEW

MODEL NO.	SJ1-3515-SMT
SCHEMATIC	



TOLERANCE:
X.X ±0.2mm
X.XX ±0.1mm
X.XXX ±0.05mm



SPECIFICATIONS:
 RATING: 16V DC @ 300mA
 CONTACT RESISTANCE: 30m OHMS MAX
 INSULATION RESISTANCE: 50M OHMS MIN: 500V DC
 VOLTAGE WITHSTAND: 500V AC R.M.S. FOR 1 MINUTE
 LIFE: 5,000 CYCLES

	MATERIAL	PLATING
TERMINAL 1	Copper Alloy	Gold
TERMINAL 2	Copper Alloy	Gold
TERMINAL 3	Copper Alloy	Gold
TERMINAL 4	Brass	Gold
TERMINAL 5	Brass	Gold
HOUSING	PA6T	



20050 SW 112th Ave.
 Tualatin, OR 97062
 Phone: 503-612-2300
 800-275-4899
 Fax: 503-612-2383
 Website: www.cui.com

TITLE:	3.5mm SURFACE MOUNT AUDIO JACK-STEREO	REV:	B
PART NO.	SJ1-3515-SMT	UNITS:	MM [INCHES]
DRAWN BY:	ZRJ	APPROVED BY:	
		SCALE:	3:1

PC FILE NAME:
SJ1-3515-SMT

COPYRIGHT 2007 BY CUI INC.